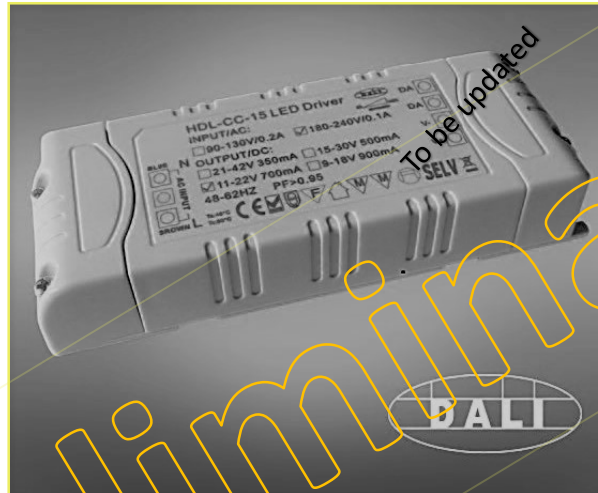


Overview

- Dimmable constant voltage
- Active power factor correction
- Compliant to IEC623860-101,102,207
- 2-100% Dimming range
- Nominal life 50,000 hours
- 5-year guarantee
- Australia/New Zealand Certification



Ordering Information

Part Number:

HDL-CV-12-24-HPF



Electrical

- Input:
- 240V, 50Hz
 - Power Factor >0.95 @ full load
 - Flex: 1M 3 core c/w plug top (option)
 - THD: <20%
 - Dielectric strength: 3750V
 - Inrush current: tba
 - Earth leakage current: tba
 - MCB B curve: (6A, 10A, 16A) tba
 - MCB C curve: (6A, 10A, 16A) tba

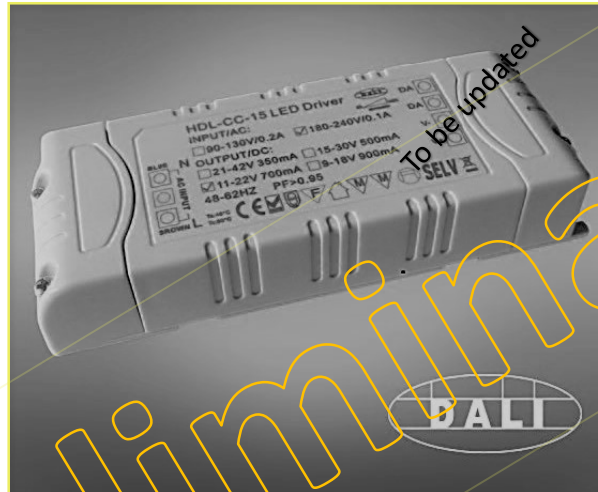
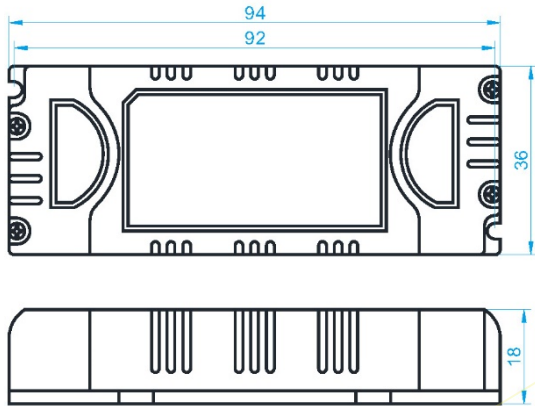
Electrical

- Output:
- 12W, 24V, 500mA
 - $\geq 80\%$ efficiency @ full load
 - 2-100% dimming range
 - Screw terminals
 - Wire size (mm): 0.5 to 3.0
 - Screw torque (Nm): 0.45

Mechanical

- Polycarbonate UL94-VO
- (rated for low smoke and halogen free)
- Dimensions (mm): 94 x 36 x 18
- Weight (grammes): 70

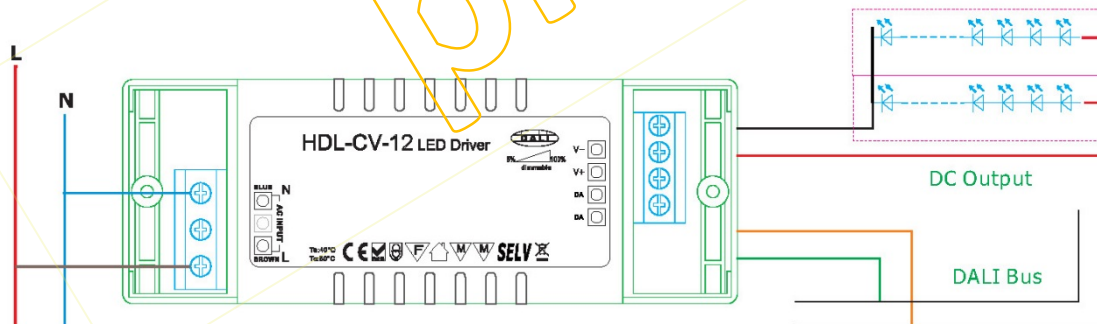
Line Drawing



Protection

- Class II
- IP20 protection rating
- Fully isolated (input/output)
- Short circuit with auto reset
- Over-voltage with auto reset
- Over-temperature with auto reset

Wiring Diagram



Thermal

- Ta rating -30°C to +45°C

Safety:

- RCM Mark applied