

**Overview**

- Dimmable constant voltage
- Leading and trailing edge dimmers
- Dimming range 2 to 100 %
- Active power factor correction
- Nominal life 50,000 hours
- 5-year guarantee
- Australia/New Zealand Certification



**Ordering Information**

**Part Number:**

**DR-CV-09-12-HPF**



**Electrical**

Input:

- 240V, 50Hz
- Power Factor >0.95 @ full load
- THD: <20%
- Dielectric strength: 3750V

Output:

- 9W, 12V, 750mA
- ≥ 80% efficiency @ full load
- 2-100% dimming range

**Mechanical**

- Polycarbonate UL94-VO
- (rated for low smoke and halogen free)
- Dimensions (mm): 84 x 29 x 20
- Weight (grammes): 50
- Screw terminals
- Wire size (mm): 0.5 to 3.0
- Screw torque (Nm): 0.45

**Protection**

- Class II
- IP20 protection rating
- Fully isolated (input/output)
- Short circuit with auto reset
- Over-voltage with auto reset
- Over-temperature with auto reset

**Safety:**

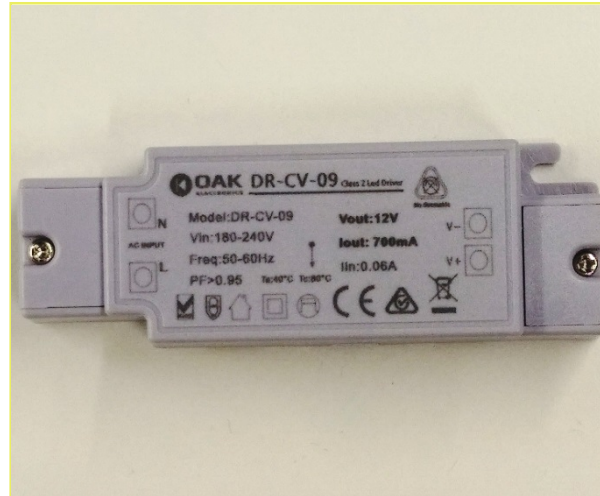
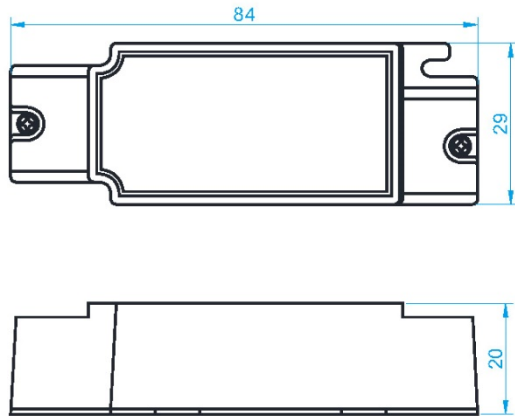
- RCM Mark applied

## PRODUCT DATASHEET

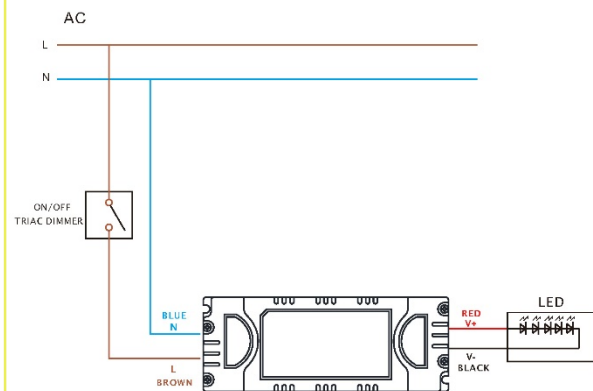
### IP20 TRIAC Indoor Series

### 9W 12V CONSTANT VOLTAGE HPF

#### Line Drawing



#### Wiring Diagram



#### Thermal

- Ta rating -30°C to +45°C