

#### Overview

- Dimmable constant voltage
- Leading and trailing edge dimmers
- Dimming range 2 to 100 %
- Active power factor correction
- Nominal life 50,000 hours
- 5-year guarantee
- Australia/New Zealand Certification



#### Ordering Information

Part Number:

**DR-CV-80-24-HPF**



#### Electrical

Input:

- 240V, 50Hz
- Power Factor >0.95 @ full load
- THD: <20%
- Dielectric strength: 3750V

Output:

- 80W, 24V, 3300mA
- ≥ 85% efficiency @ full load
- 2-100% dimming range

#### Mechanical

- Polycarbonate UL94-VO
- Dimensions (mm): 189 x 65 x 30
- Weight (grammes): 370
- Screw terminals
- Wire size (mm): 0.5 to 3.0
- Screw torque (Nm): 0.45

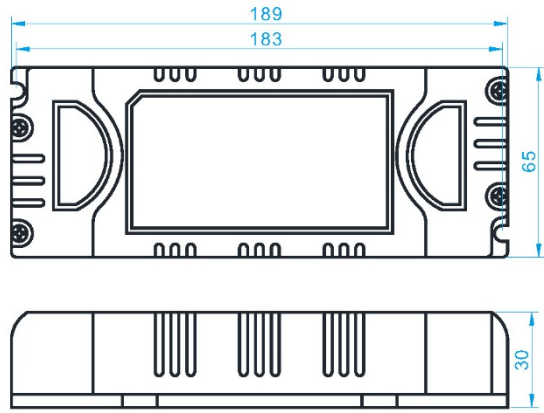
#### Protection

- Class II
- IP20 protection rating
- Fully isolated (input/output)
- Short circuit with auto reset
- Over-voltage with auto reset
- Over-temperature with auto reset

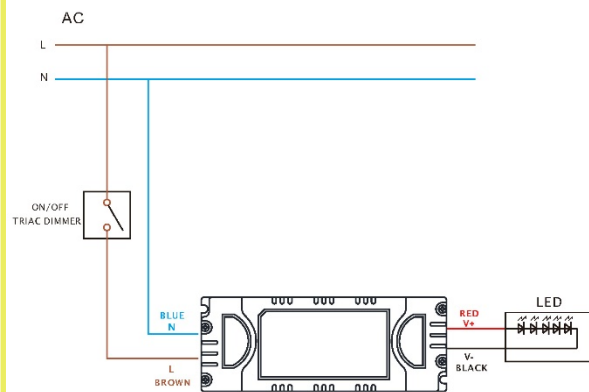
#### Safety:

- RCM Mark applied

**Line Drawing**



**Wiring Diagram**



**Thermal**

- Ta rating -30°C to +45°C