



Dynapak

- IP44-IK08
- Class 2
- Patented components

The very high capacity to dimension ratio lamppost junction box for posts with a min inside diameter of 84mm.

The Dynapak can connect up to 2 x 25mm² network cables or 3 x 16mm² network cables and 2 lighting fixture cable outputs.

Integration of devices such as ADD protection, ST2, remote management, etc.

Lighting fixture cable outputs via the bottom with cable guidance, or via the top as an option.

Cone for frontal insertion of power cables.

Open sides and rigid base to facilitate wiring.

Cover secured by 2 captive screws.



ADVANTAGES

Large enclosing capacity for small posts (min ins. Ø 84mm).

Terminal block support removable without tools.

Sliding transparent window for viewing and accessing protections.

Fixing bracket, adjustable without tools over 130 mm, with front or rear hooking.

TECHNICAL CHARACTERISTICS

Max capacity

- Up to 2 network cables, 4x25mm².
- Up to 3 network cables, 5G16mm².
- Up to 2 lighting fixture cables, 3G2.5mm².

Casing

- Self-extinguishing polycarbonate.
- IP44 in accordance with IEC 60529 (open junction box: IP2X).
- IK08 in accordance with EN 62262.
- Class 2 (can also be supplied with insulated earth terminal).
- -40°C to +130°C.

Product standards

- EN 61439-2.

Installation standards

- NF C17-200 and associated guides.

Standard colour:

- Other colours: please consult us.

Mounting:

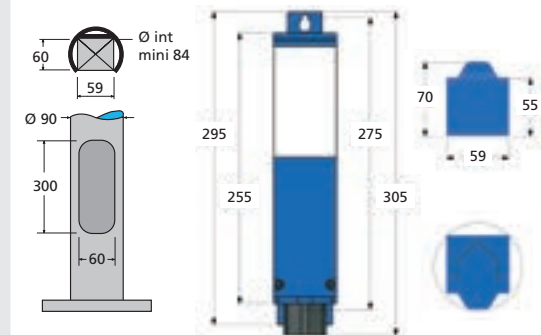
- Possible vertical rail mounting with M6 screws.

Optional:

- Terminal block: marking of the terminals to facilitate maintenance.

Delivery:

- Pre-wired with high-temperature silicone coated wires and crimped lugs.
- Supplied with fuses, configuration labels and cable clamp.

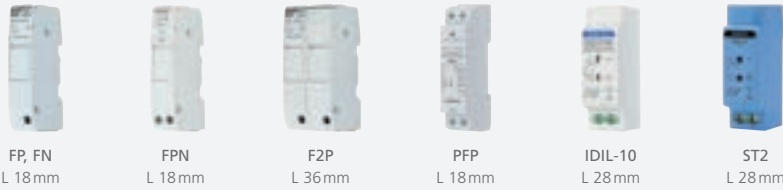


LIGHTING FIXTURE OUTPUT CABLES

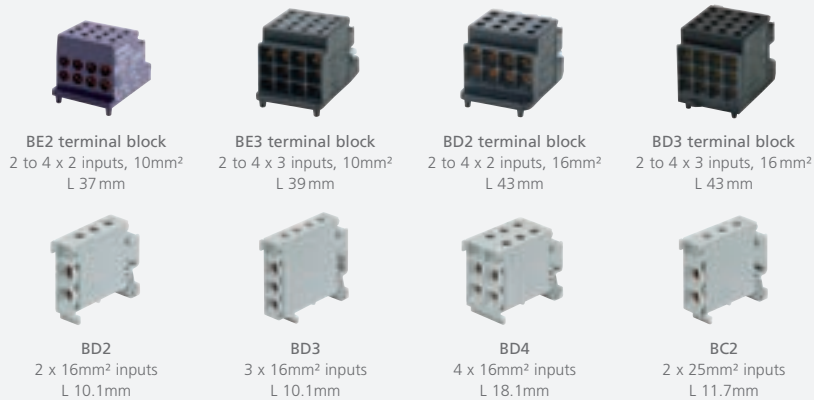
Via the bottom (Standard) or top (Optional).



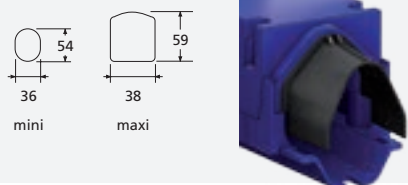
PROTECTIONS & DEVICES - Max volume available (mm): 54L x 48P x 80H



CONNECTION - Integrated terminals and terminal blocks



NETWORK CABLES



LIGHTING FIXTURE OUTPUT CABLES - Main configurations

	Standard	Options	
		TET	Cable glands
Via the bottom	2 cables (7 to 10mm)	-	-
Via the top	-	2 cables (7 to 10mm - 2xTET 7/10)	2 cables (6 to 12mm - 2xM20)
		2 cables (10 to 14mm - 2xTET 10/14)	1 cable (9 to 17mm - 1xM25)

PROTECTIONS & DEVICES - Max combinations

		Max quantity	ID L 36mm	PFP L 18mm	IDIL L 28mm	ST2 L 28mm
FP or FN	L 18mm	2	-	-	-	-
FPN	L 18mm	2	-	1FPN + 1PFP	1FPN + 1IDIL	1FPN + 1ST2
F2P	L 36mm	1	-	-	-	-
DPN	L 18mm	-	-	-	-	-
D2P	L 36mm	-	-	-	-	-
DDR	L 36mm	-	-	-	-	-

Usable width of the protection zone: 54mm.

CONNECTION - Main max configurations

	≤ 16mm ²	≤ 25mm ²
2 network cables	4BD2 terminal block max or 5 BD2 terminals max	4 BC2 terminals max
3 network cables	4BD3 terminal block max or 5 BD3 terminals max	-

Usable width of the connection zone: 54mm.

NETWORK CABLES - Main max configurations

	4x 10mm ²	5G 10mm ²	4x 16mm ²	5G 16mm ²	4x 25mm ²	5G 25mm ²	Lighting fixture cables
2 cables	●	●	●	●	●*	-	1
2 cables	●	●	●	●	●*	-	2
3 cables	●	●	●	●**	-	-	1
3 cables	●	●	●	●**	-	-	2

(*) With lighting fixture cable 3G1.5mm² rigid max.

(**) Limit configurations: tight wiring.