



Interpak

IP44-IK08
Class 2
Patented components

The lamppost junction box designed with 3 stages to increase enclosing capacity in posts with a min inside diameter of 110mm.

Interpak can host up to 2 x 35mm² network cables or 3 x 25mm² network cables and 4 lighting fixture cables.

Protective cone for frontal insertion of power cables.

Additional intermediate support, for extra functions.

Open sides and stiffened back to facilitate connection.

Two independent covers for easy opening even when the box is offset from the door.

Low cover clipped onto the base of the box for secure maintenance.



ADVANTAGES

Terminal block support removable without tools and adjustable via a rack system over 80mm, for easy connection and rapid maintenance on site.

Top transparent cover, to facilitate visual inspection and access to protections. Locking by ¼ turn captive screw.

Tool-free mounting by adjustable lugs over 110mm, or with M6 screw.

TECHNICAL CHARACTERISTICS

Max capacity

- Up to 2 network cables, 5G25mm² or 4x35mm².
- Up to 3 network cables, 5G16mm² or 4x25mm².
- Up to 4 lighting fixture cables, 3G2.5mm² rigid.

Casing

- Self-extinguishing polycarbonate.
- IP44 in accordance with IEC 60529 (open junction box: IP2X).
- IK08 in accordance with EN 62262.
- Class 2 (can also be supplied with insulated earth terminal).
- -40°C to +130°C.

Product standards

- EN 61439-2.

Installation standards

- NF C17-200 and associated guides.

Standard colour:

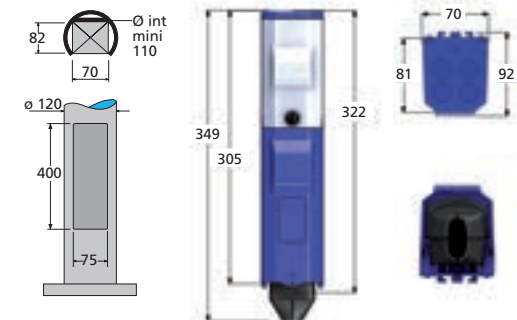
- Other colours: please consult us.

Optional:

- Terminal block: marking of the terminals to facilitate maintenance.

Delivery:

- Pre-wired with high-temperature silicone coated wires and crimped lugs.
- Supplied with fuses, configuration labels and cable clamp.



LIGHTING FIXTURE OUTPUT CABLES

Via the bottom (Standard) or top (Optional).

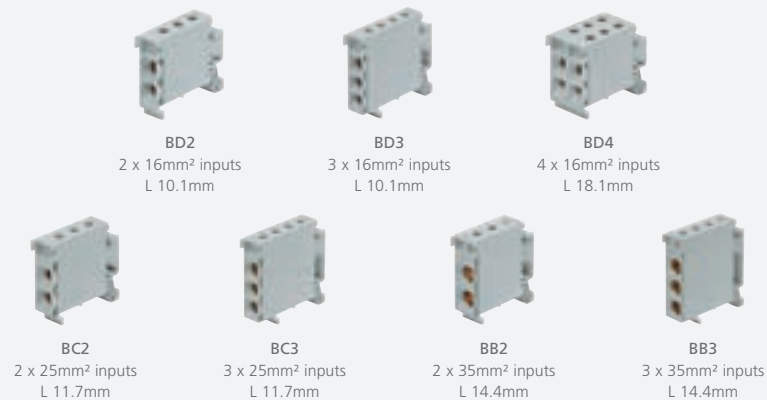


PROTECTIONS & DEVICES - Max volume available (mm): 63L x 65/78P x 80H



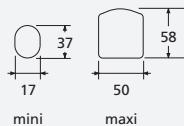
FP, FN, FPN, F2P L 18/36mm
 DPN, D2P L 18/36mm
 ID L 36mm
 DDR L 36mm
 PFP, PFG L 18mm
 IDIL-10 L 28mm
 ST2 L 28mm

CONNECTION - Integrated terminals



BD2 2 x 16mm² inputs L 10.1mm
 BD3 3 x 16mm² inputs L 10.1mm
 BD4 4 x 16mm² inputs L 18.1mm
 BC2 2 x 25mm² inputs L 11.7mm
 BC3 3 x 25mm² inputs L 11.7mm
 BB2 2 x 35mm² inputs L 14.4mm
 BB3 3 x 35mm² inputs L 14.4mm

NETWORK CABLES



mini maxi



LIGHTING FIXTURE OUTPUT CABLES - Main configurations

	Standard	Options	
		TET	Cable glands
Via the bottom	2 cables (7 to 10mm)	-	-
Via the top	-	4 cables (7 to 10mm - 4xTET 7/10)	4 cables (6 to 12mm - 4xM20)
		4 cables (10 to 14mm - 4xTET 10/14)	1 cable (9 to 17mm - 1xM25)

PROTECTIONS & DEVICES - Max combinations

	Max quantity	ID L 36mm	PFP L 18mm	IDIL L 28mm	ST2 L 28mm
FP or FN	L 18mm 3	-	1FP+1FN+1PFP	-	-
FPN	L 18mm 3	1FPN + 1ID	1FPN + 1PFP	1FPN + 1IDIL	1FPN + 1ST2
F2P	L 36mm 1	-	-	-	-
DPN	L 18mm 2	1DPN + 1ID	1DPN + 1PFP	1DPN + 1IDIL	1DPN + 1ST2
D2P	L 36mm 1	-	-	-	-
DDR	L 36mm 1	-	1DDR + 1PFP	-	-

Usable width of the protection zone: 63 mm.

INTERMEDIATE ZONE - Max combinations

	Max quantity	ID L 36mm	PFP L 18mm	IDIL L 28mm	ST2 L 28mm
Max quantity	-	1	3	2	2
FP or FN	L 18mm 3	-	1FP+1FN+1PFP	-	-
FPN	L 18mm 3	1FPN + 1ID	1FPN + 1PFP	1FPN + 1IDIL	1FPN + 1ST2
F2P	L 36mm 1	-	-	-	-
DPN	L 18mm 3	1DPN + 1ID	1DPN + 1PFP	1DPN + 1IDIL	1DPN + 1ST2
D2P	L 36mm 1	-	-	-	-
DDR	L 36mm 1	-	1DDR + 1PFP	-	-

Usable width of the intermediate zone: 62 mm.

CONNECTION - Main max configurations

	≤ 16mm ²	≤ 25mm ²	≤ 35mm ²
2 network cables	5 BD2 terminals max	5 BC2 terminals max	4 BB2 terminals max
3 network cables	5 BD3 terminals max	5 BC3 terminals max	4 BB3 terminals max

Usable width of the connection zone: 60mm

NETWORK CABLES - Main max configurations

	4x 16mm ²	5G 16mm ²	4x 25mm ²	5G 25mm ²	4x 35mm ²	5G 35mm ²
2 cables	●	●	●	●	●	-
3 cables	●	●	●	●*	●*	-

(*) Limit configurations: tight wiring.