



# Lotipak

IP44-IK08

Class 2

Patented components

Lamppost base junction box for posts with very small cross-sections.

Lotipak can connect up to 2 x 10mm<sup>2</sup> network cables and 1 lighting fixture cable.

Open sides and stiffened back to facilitate connection.

Cover features an integral protective cone to allow power cables to be inserted through the front.

Lamp output via the bottom, with cable guidance housing through the back of the box.

Cover with gripping notches secured by 2 captive stainless steel screws.

Mounted onto bar (fixed mounting lug) or vertical rail via M6 screw.



## ADVANTAGES

Very compact.

Extractable terminal block height adjustable, with screw fastening.

## TECHNICAL CHARACTERISTICS

### Max capacity

- Up to 2 network cables 5G10mm<sup>2</sup> (max Ø 18mm).
- Up to 1 lighting fixture cable, 3G2.5mm<sup>2</sup> (max Ø 12.5mm).

### Casing

- Self-extinguishing polycarbonate.
- IP44 in accordance with IEC 60529 (open junction box: IP2X).
- IK08 in accordance with EN 62262.
- Class 2 (can also be supplied with insulated earth terminal).
- -40°C to +130°C.

### Product standards

- EN 61439-2.

### Installation standards

- NF C17-200 and associated guides.

### Standard colour:

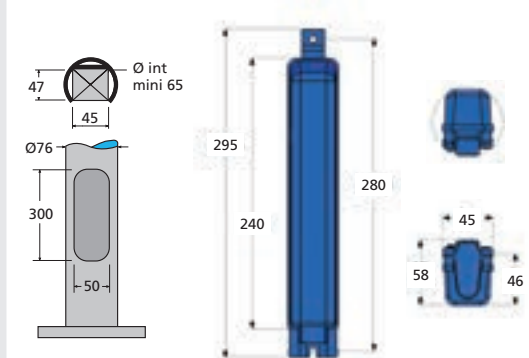
- Other colours: please consult us.

### Optional:

- Additional 5-point mounting lug.
- External 2-point cable clamp via stainless steel screw.

### Delivery:

- Pre-wired with high-temperature silicone coated wires and crimped lugs.
- Supplied with fuses, configuration labels and cable clamp.



LIGHTING FIXTURE OUTPUT CABLES

Via the bottom of the box only.



PROTECTIONS & DEVICES – Max volume available (mm): 30L x 41D x 80H



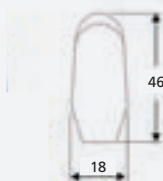
FPN,  
L 18mm

CONNECTION – Integrated terminal blocks



BE2 terminal block  
2 to 4 x 2 inputs, 10mm<sup>2</sup>  
L 37mm

NETWORK CABLES



LIGHTING FIXTURE OUTPUT CABLES - Main configurations

	Standard	Options	
		TET	Cable glands
Via the bottom	1 cable	-	-
Via the top	-	-	-

PROTECTIONS & DEVICES - Max combinations

		Max quantity	ID L 36mm	PFP L 18mm	IDIL L 28mm	ST2 L 28mm
FP or FN	L 18mm	-	-	-	-	-
FPN	L 18mm	1	-	-	-	-
F2P	L 36mm	-	-	-	-	-
DPN	L 18mm	-	-	-	-	-
D2P	L 36mm	-	-	-	-	-
DDR	L 36mm	-	-	-	-	-

Usable width of the protection zone: 30mm.

CONNECTION - Main max configurations

	≤ 6mm <sup>2</sup>	≤ 10mm <sup>2</sup>
2 network cables	4BE2 terminal block max	4BE2 terminal block max
3 network cables	-	-

Usable width of the connection zone: 37mm.

NETWORK CABLES - Main max configurations

	4x 6mm <sup>2</sup>	5G 6mm <sup>2</sup>	4x 10mm <sup>2</sup>	5G 10mm <sup>2</sup>	Lighting fixture cables
2 cables	●	●*	●	-	1
2 cables	-	-	-	-	2

(\*) Limit configurations: tight wiring.