



Minipak

IP44-IK08
Class 2
Patented components

The reference in terms of lamppost base junction boxes, for posts with very small cross-sections: ins. Ø 70mm min.

The Minipak can connect up to 3 x 10mm² network cables or 2 x 16mm² network cables and 2 lighting fixture cables.

Open sides and stiffened back to facilitate connection.

Low cover easily fitted for secure maintenance of the protections.

Protective flexible cone, for the frontal insertion of power cables.



MPB

MPH

Available in 2 versions:
with lamp output via the bottom (MPB) or the top (MPH).

ADVANTAGES

Very compact.

Extractable terminal blocks with centring stud and fastening screws.

High transparent cover to view and access protections. Central locking by ¼ turn captive screw.

Mounting lug on bar, adjustable without tools over 110mm, with front or rear hooking.

TECHNICAL CHARACTERISTICS

Max capacity

- Up to 3 network cables, 10mm².
- Up to 2 network cables, 16mm².
- Up to 2 lighting fixture cables, 3G1.5mm², rigid.

Casing

- Self-extinguishing polycarbonate.
- IP44 in accordance with IEC 60529 (open junction box: IP2X).
- IK08 in accordance with EN 62262.
- Class 2 (can also be supplied with insulated earth terminal).

Product standards

- EN 61439-2.

Installation standards

- NF C 17-200 and associated guides.

Standard colours:



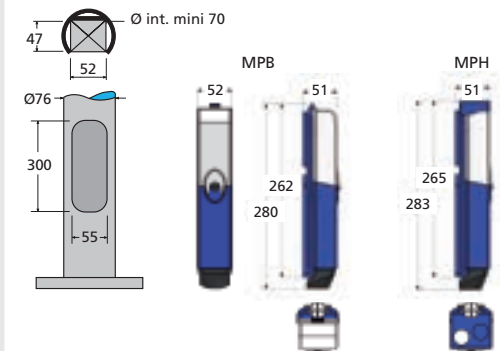
- Other colours: please consult us.

Optional:

- Mounting lug: fastened onto vertical rail with M6 screws.
- Terminal block: marking of the terminals to facilitate maintenance.

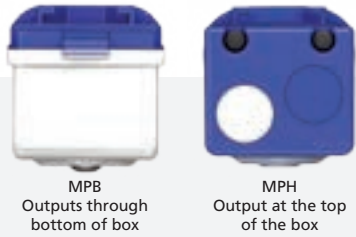
Delivery:

- Pre-wired with high-temperature silicone coated wires and crimped lugs.
- Supplied with fuses, configuration labels and cable clamp.



LIGHTING FIXTURE OUTPUT CABLES

Via the bottom (MPB)
or via the top (MPH).



MPB
Outputs through
bottom of box

MPH
Output at the top
of the box

PROTECTIONS & DEVICES - Max volume available (mm): 42L x 41D x 80H



FP, FN
L 18 mm



FPN
L 18 mm



F2P
L 36 mm



PFP
L 18 mm

CONNECTION - Integrated terminal blocks



BE2 terminal block
2 to 4 x 2 inputs, 10mm²
L 37 mm

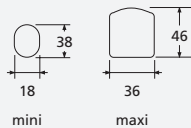


BE3 terminal block
2 to 4 x 3 inputs, 10mm²
L 39 mm



BD2 terminal block
2 to 4 x 2 inputs, 16mm²
L 43 mm

NETWORK CABLES



LIGHTING FIXTURE OUTPUT CABLES - Main configurations

	Standard	Options	
		TET	Cable glands
Via the bottom (MPB)	2 cables (7 to 10mm)	-	-
Via the top (MPH)	1 cable (TET / 7 to 10mm)	2 cables (2 TET / 7 to 10mm)	2 cables (2 PG11 / 5 to 10mm)

PROTECTIONS & DEVICES - Max combinations

	Max quantity	ID L 36 mm	PFP L 18 mm	IDIL L 28 mm	ST2 L 28 mm
FP or FN L 18 mm	2	-	-	-	-
FPN L 18 mm	2	-	1FPN + 1PFP	-	-
F2P L 36 mm	1	-	-	-	-
DPN L 18 mm	-	-	-	-	-
D2P L 36 mm	-	-	-	-	-
DDR L 36 mm	-	-	-	-	-

Usable width of the protection zone: 42 mm.

CONNECTION - Main max configurations

	≤ 10 mm ²	≤ 16 mm ²
2 network cables	4BE2 terminal block max	4BD2 terminal block max
3 network cables	4BE3 terminal block max	-

Usable width of the connection zone: 43mm.

NETWORK CABLES - Main max configurations

	4x 6mm ²	5G 6mm ²	4x 10mm ²	5G 10mm ²	4x 16mm ²	5G 16mm ²	Lighting fixture cables
2 cables	●	●*	●	-	●	-	1
2 cables	●	●*	●	-	●	-	2
3 cables	●	-	●	-	-	-	1
3 cables	●**	-	●**	-	-	-	2

(*) Limit configurations: tight wiring.

(**) Recommended in MPH version.